

Memorial Headstone/Marker Specifications

Memorial markers must be made of one solid industry standard granite or U.S. standard bronze. All memorial markers hereafter shall be set by District personnel, in a concrete foundation with a maximum of two flower vases set in the foundation. Only flush with the ground vases are allowed in the foundation.

A maximum of two memorial markers (upright or flat row), may be placed on a full-size gravesite. Only one upright headstone may be placed in an upright headstone row and the second needs to be flat/flush. Bases and tablets must be drilled and pinned.

One headstone allowed per cremation and infant grave.

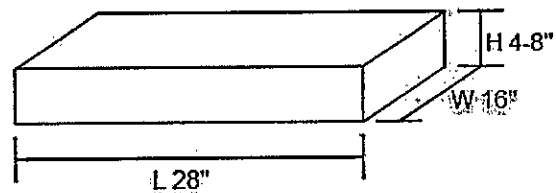
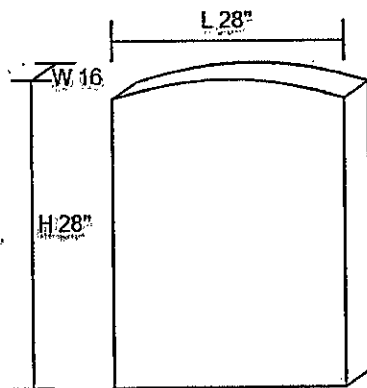
All headstone markers need to be approved by the North County Cemetery District staff prior to installation. To ensure specifications of the headstones are met, the family or vendor needs to submit a diagram of the headstone via email of the dimensions and the engraving of the headstone to northcountycemeterydistrict@yahoo.com prior to the manufacturing of the headstone.

The installation fee of the headstone needs to be paid prior to the installation of the headstone. Once the installation fee has been paid, the headstone will be placed on the back of the line for installation.

MEMORIAL MARKER SPECIFICATIONS:

Upright/Raised/Slant/Pillow Top marker:

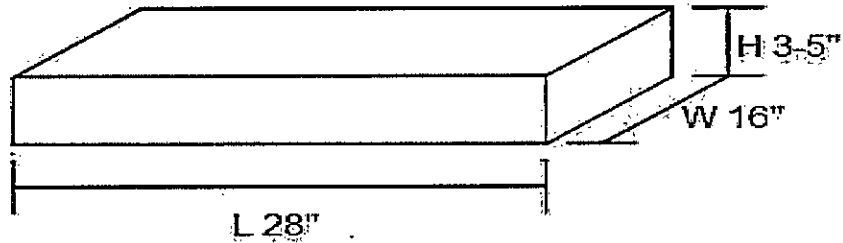
- The tablet's maximum dimensions are: 28"L X 16"W X 28"H for a double depth grave.
- The base maximum dimensions are: 28"L X 16"W (Minimum of 4" thick, not to exceed 8")
- For two graves that are side by side the maximum dimensions are: 36"L X 16"W X 28"H
- For an infant and cremation grave the maximum dimensions are: 18"L X 12"W X 18"H. The base maximum dimensions are: 18"L X 12"W (4" to 8" thick)



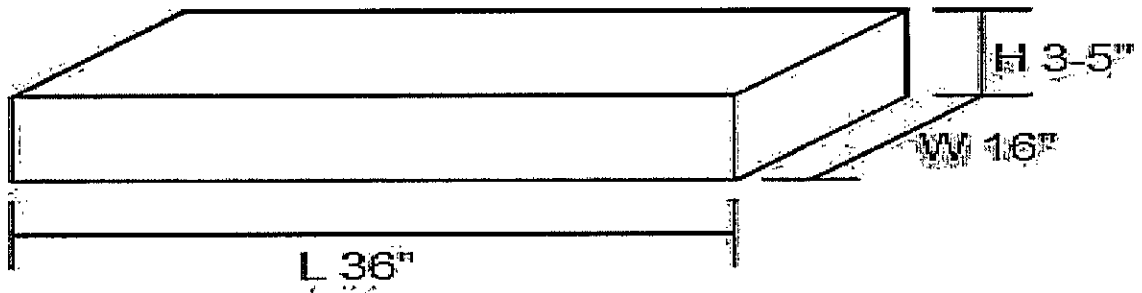
Flush/Flat marker sections:

- The maximum dimensions are: 28"L X 16"W for a double depth grave (minimum of 3" thick, not to exceed 5")
- For two graves that are side by side the maximum dimensions are: 36"L x 16"W (Minimum of 3" thick, not to exceed 5")
- For infant and cremations graves, the dimensions are: 18"L x 12"W (Minimum of 3" thick, not to exceed 5")

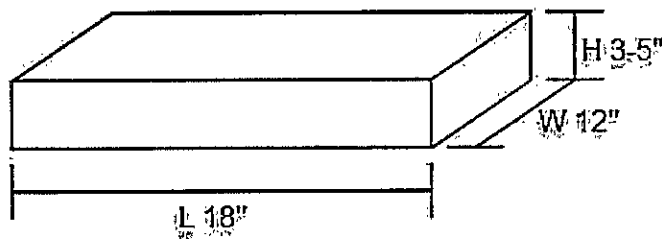
Double Depth Grave



Side by Side Graves



Infant and Cremation Graves



Signature

Date

Print Name